

1&2 STEP 1&2:
FIELD CUT
FOAM AS
REQUIRED.

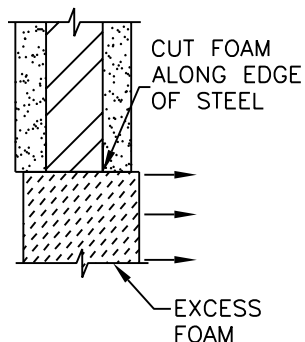
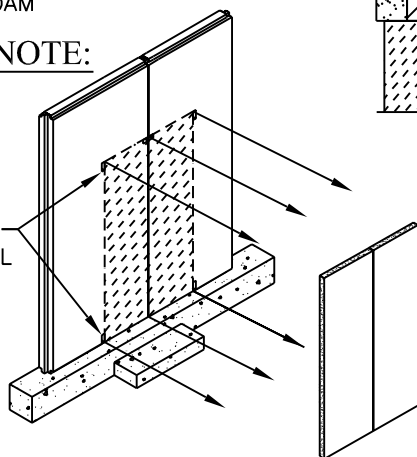
3 STEP 3:
ATTACH W/D
STUD TO
HEAD
W/1/4"-14
X 3/4" SELF
DRILLING
FASTENERS @
1'-0" O.C.

4 STEP 4: ATTACH DOOR

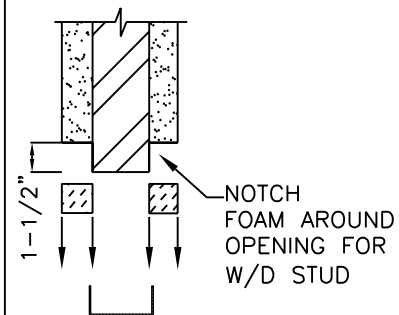
STEP #1
CUT AWAY FOAM

BUILDER NOTE:

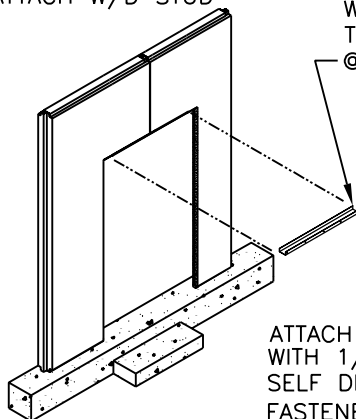
USING THE
PRE-FORMED
HOLES AS
GUIDES, CUT
AWAY FOAM
TO THE EDGE
OF THE PANEL
OPENING



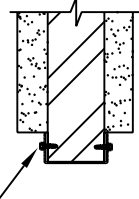
STEP #2
NOTCH FOAM



STEP #3
ATTACH W/D STUD



ATTACH
W/D STUD
TO END CAPS
@ TOP OF OPENING



ATTACH W/D STUD
WITH 1/4"-14 X 3/4"
SELF DRILLING
FASTENERS 1'-0" O.C.

STEP #4
INSTALL DOOR

