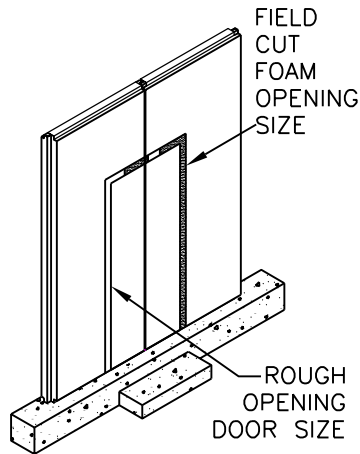
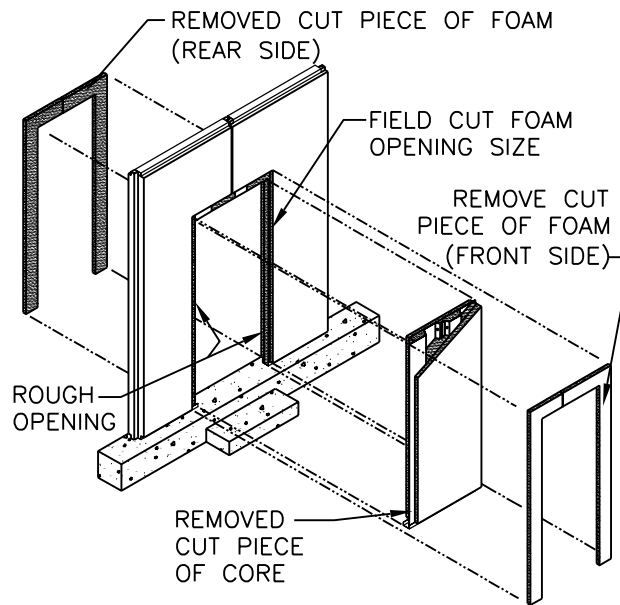


STEP #1

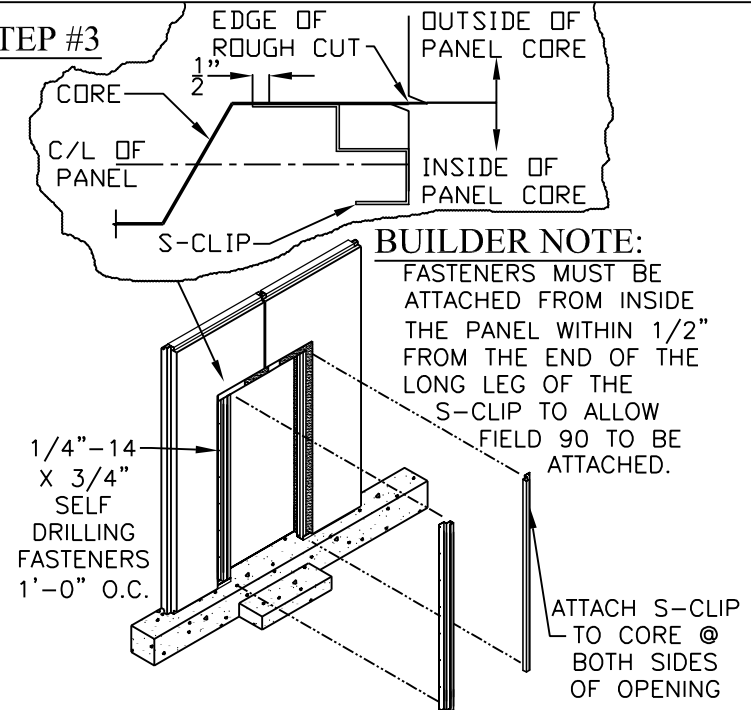


BUILDER NOTE:
FIELD CUT OF PANEL CORE SHOULD BE AN 1/8" WIDER THAN REQUIRED ROUGH OPENING SIZE.

STEP #2



STEP #3



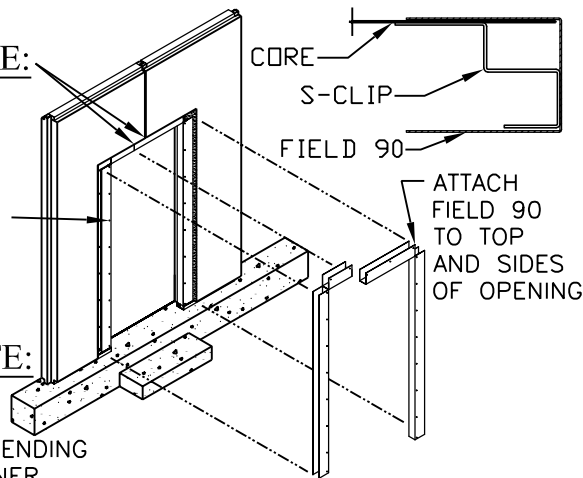
BUILDER NOTE:
FASTENERS MUST BE ATTACHED FROM INSIDE THE PANEL WITHIN 1/2" FROM THE END OF THE LONG LEG OF THE S-CLIP TO ALLOW FIELD 90 TO BE ATTACHED.

STEP #4

BUILDER NOTE:
JOINT OF FIELD 90 MUST BE OFFSET FROM JOINT IN KORETECK PANEL

1/4"-14 X 3/4" SELF DRILLING FASTENERS 1'-0" O.C.

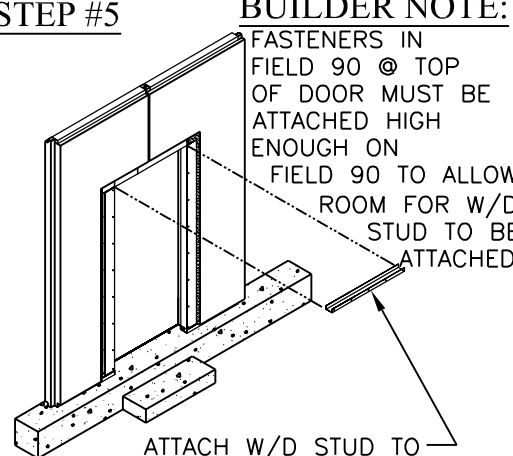
BUILDER NOTE:
FIELD 90 TO BE SLIT AND BENT WITH MIN. 12" EXTENDING FROM EITHER CORNER.



STEP #5

BUILDER NOTE:
FASTENERS IN FIELD 90 @ TOP OF DOOR MUST BE ATTACHED HIGH ENOUGH ON FIELD 90 TO ALLOW ROOM FOR W/D STUD TO BE ATTACHED.

ATTACH W/D STUD TO FIELD 90 @ TOP OF DOOR



STEP #6

ATTACH DOOR (N.B.K.)

