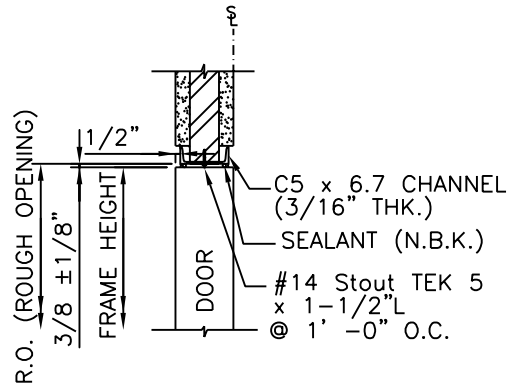
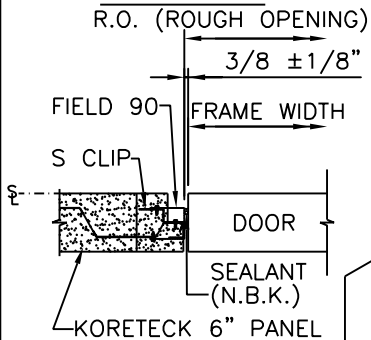


SIDE VIEW

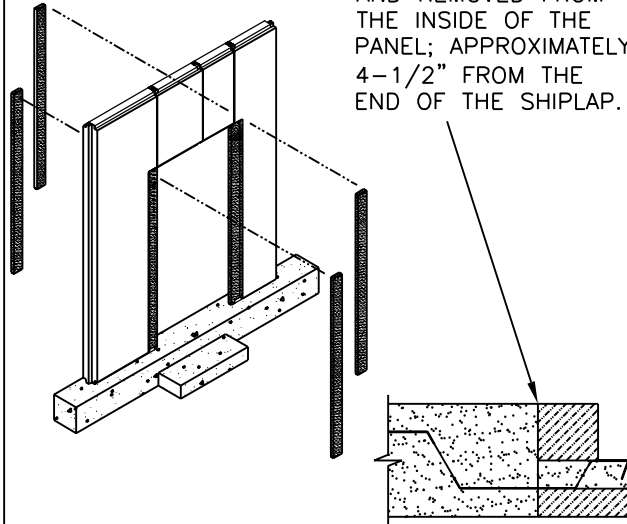


TOP VIEW



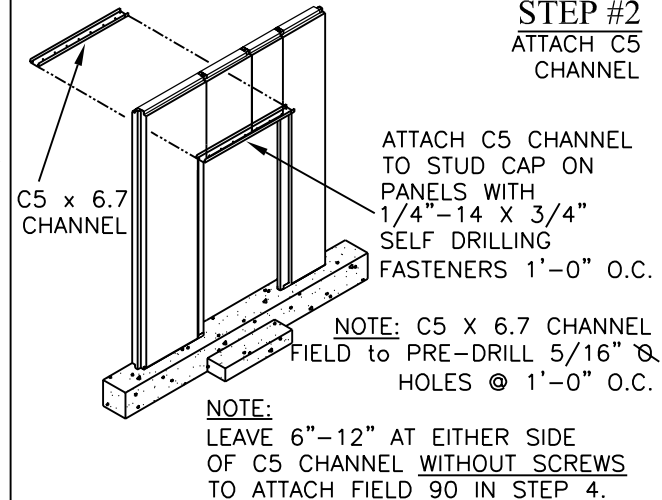
STEP #1

FIELD CUT FOAM



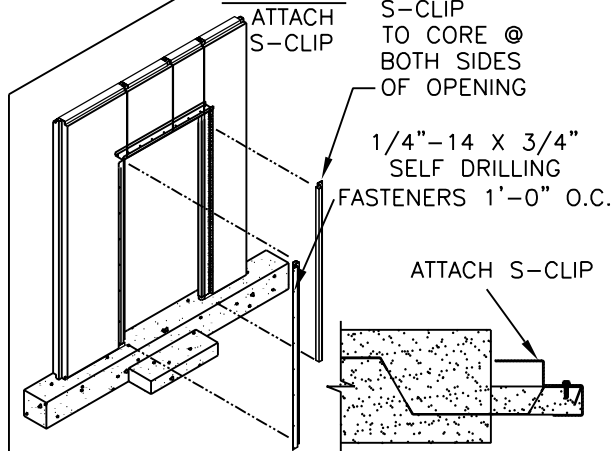
STEP #2

ATTACH C5 CHANNEL



STEP #3

ATTACH S-CLIP TO CORE @ BOTH SIDES OF OPENING
 1/4"-14 X 3/4" SELF DRILLING FASTENERS 1'-0" O.C.



STEP #4

ATTACH FIELD 90

NOTE: FIELD CUT, BEND & REMOVE FLANGES FROM FIELD 90 BEFORE ATTACHMENT.

