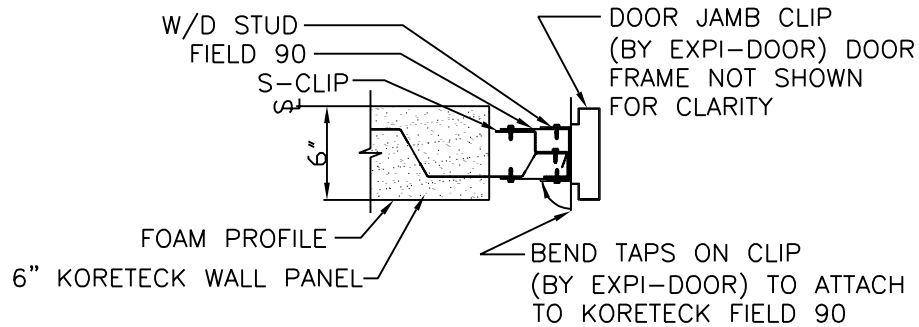


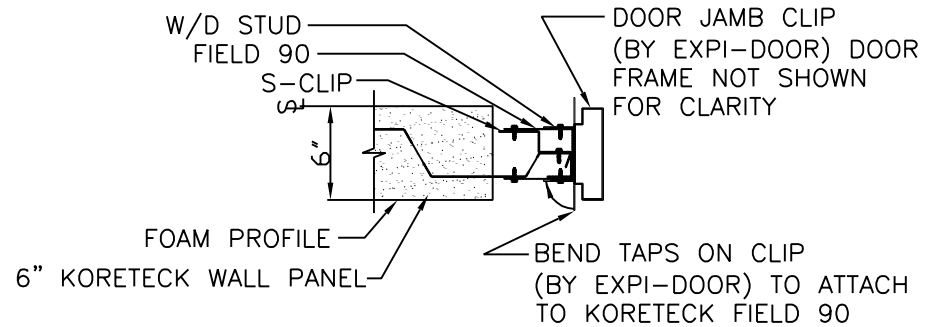
**SYNTHETIC STUCCO FINISH**



**STEP #1 : POSITION DOOR JAMB CLIP**

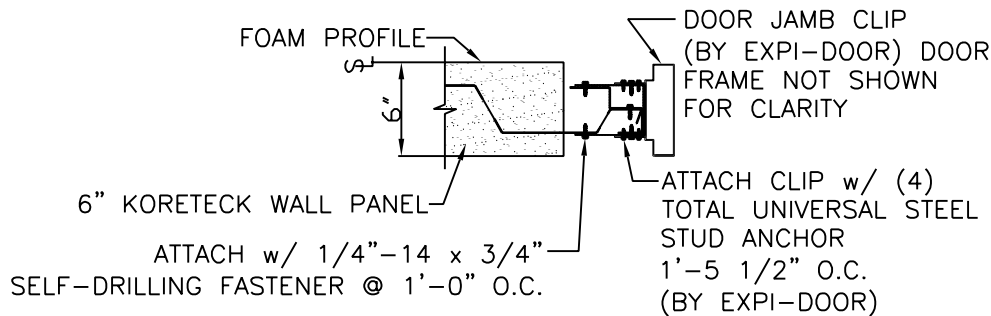
FOLLOW DETAIL D605 FACTORY CUT DOOR INSTALLATION GUIDE PRIOR TO EXPIDOOR INSTALLATION

**4" BRICK FINISH**

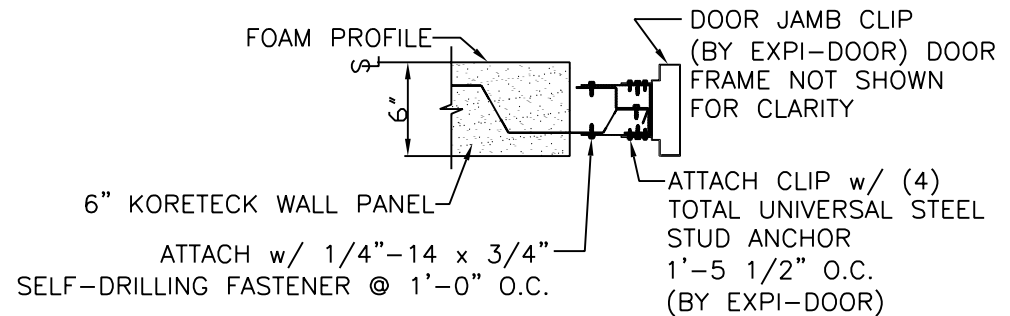


**STEP #1 : POSITION DOOR JAMB CLIP**

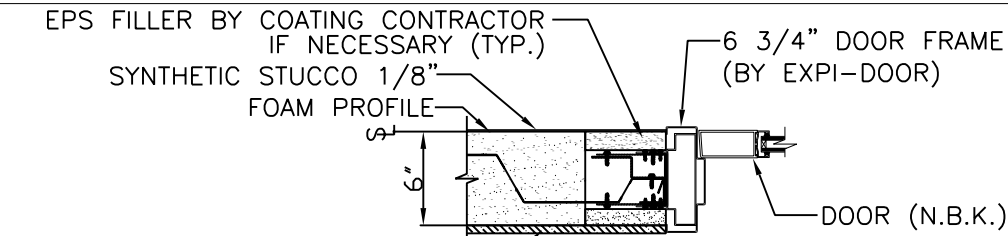
FOLLOW DETAIL D605 FACTORY CUT DOOR INSTALLATION GUIDE PRIOR TO EXPIDOOR INSTALLATION



**STEP #2 : ATTACH TO KORETECK**

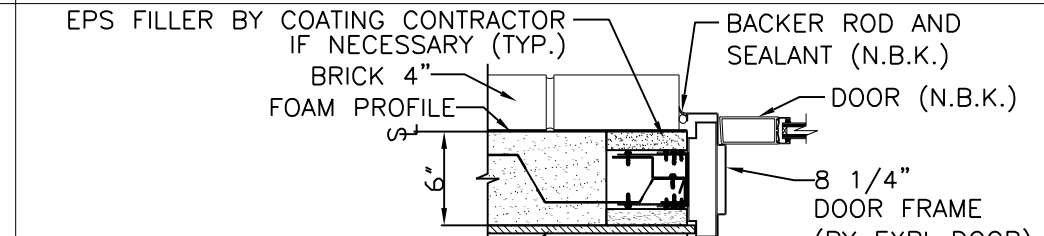


**STEP #2 : ATTACH TO KORETECK**



FOAM PLASTIC SHALL BE SEPARATED FROM THE INTERIOR OF THE BUILDING BY AN APPROVED THERMAL BARRIER (SUCH AS 1/2" GYPSUM WALL BOARD)

**STEP #3 : SYNTHETIC STUCCO FINISH**



FOAM PLASTIC SHALL BE SEPARATED FROM THE INTERIOR OF THE BUILDING BY AN APPROVED THERMAL BARRIER (SUCH AS 1/2" GYPSUM WALL BOARD)

**STEP #3 : 4" BRICK FINISH**